

INSTRUCTIONS FOR INSIDE MOUNT APPLICATIONS

46 mm Screen Cassette

STEP 3 • Mounting the Cassette

Mount the cassette snap clips (5) to the inside head of opening as shown (Figure A, side view). When installed, the clips should be centered above the cassette. Install the screw into the center of the slot to allow front to back adjustment (see Figure A). Snap the cassette (A) into place. Secure the cassette in place by screwing endcaps (1 & 2) to door jamb. **NOTE:** the clips lower the cassette down into the opening 1/4". The same 1/4" gap should be left above each end cap to avoid bowing the cassette.

STEP 4 • Installing Side Rails

Slide both outside rails (C) onto the tabs protruding from the cassette caps (1 & 2). Attach to jamb with screws

provided. Press inside rails (B) into outside rails (C) until they are evenly seated (detail A). Optional Pull Bar Locks (9) may be attached if desired to help hold pull bar closer to ground on uneven floors.

STEP 5 • Chain Lock *Not used*

Position chain lock (3) in an easy-to-reach location below the cassette. Note the spring in the cassette is for tension only. You will need to raise and lower the screen by using the chain. **CAUTION: This chain should be kept out of the reach of children at all times.**

STEP 6 • Handle *Not used*

Attach handle (8) to pull bar using the supplied screws.

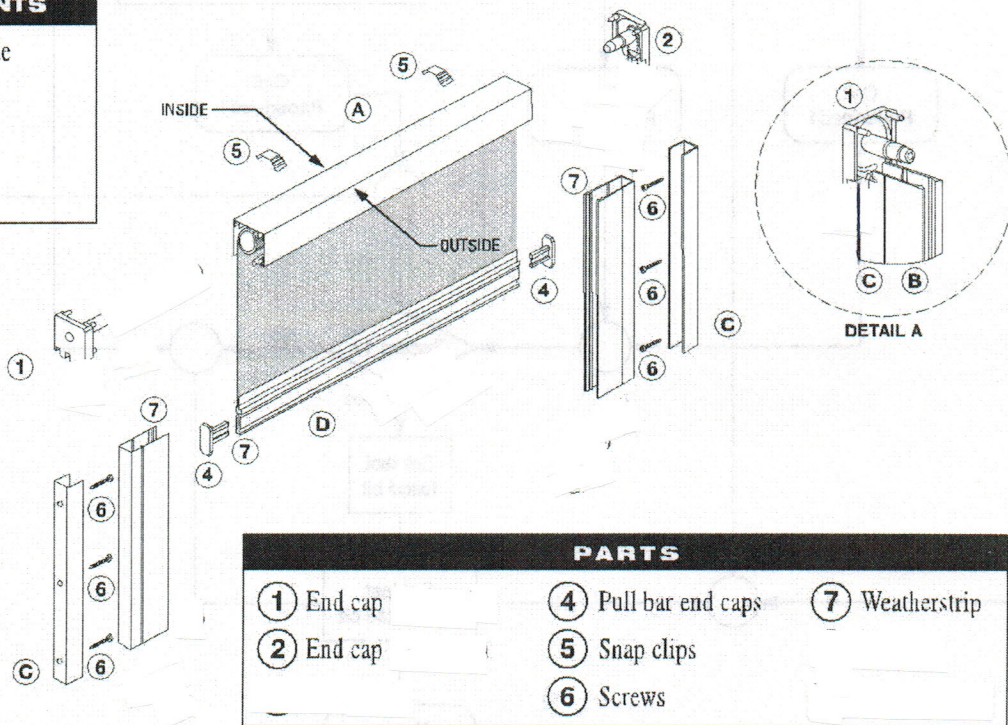
VERTICAL SLIDING SCREEN BASIC COMPONENTS

- (A) Cassette – screen inside
- (B) Inside rails
- (C) Outside rails
- (D) Pull bar

OPTIONS

- PVC bulb seal is available (in place of the pile weatherstrip) for use on the lead edge of the pull bar (part # 00-02220-0-5).
- Decorative stiffener profile for use on one or both sides of the pull bar. This profile is attractive and it adds stability and ballast which will enhance the performance of larger screens (part # 01-06210).

FIGURE B



PARTS		
(1) End cap	(4) Pull bar end caps	(7) Weatherstrip
(2) End cap	(5) Snap clips	(6) Screws

TROUBLESHOOTING GUIDE

Difficult to pull across the opening.	Make sure the screen cassette has a 90-degree angle cut. If it does not, trim so it has a straight cut. Check side rails as the screws may not have been driven flush into the inside rails.
Screen binds or will not retract into the casing properly.	See steps above. Check to see if the weatherstrip pile is binding in the inside rails. NOTE: Spring is an assist mechanism. You may need to push the screen completely closed.
Brush pile moves in the side guides.	Ends of the brush pile and aluminum track need to be crimped together to prevent movement.
Screen is torn.	Replace cassette through dealer. They will need to know model, size and color of your system.
Cannot get cassette to snap into clips.	Insert back corner of cassette into clip first, then rotate it from back to front.
Screen does not retract evenly.	Pull the screen all the way down to bottom of opening. This will help the screen realign itself.